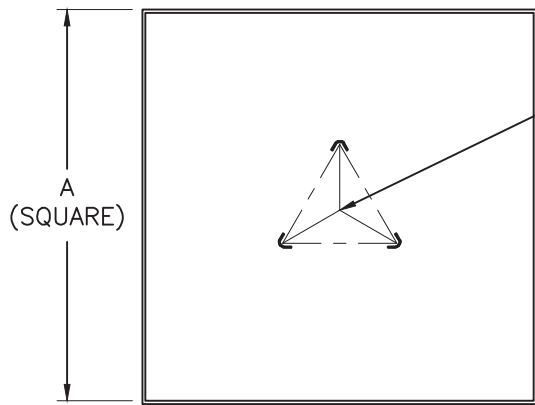


RSL TOWER STANDARD MAT FOUNDATIONS

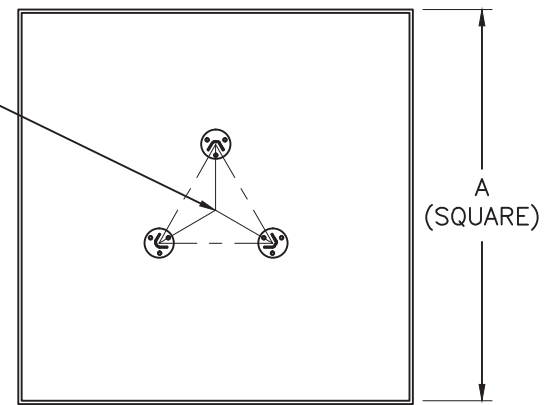
BASE SECTION REFERENCE	NOMINAL FACE WIDTH	TOWER BASE REACTIONS				FOUNDATION WIDTH	CONCRETE (CU. YDS.)	TOTAL NO. 7 BARS REQUIRED
		MAX O.T.M (FT-KIPS)	MAX TOTAL SHEAR (KIPS)	MAX WEIGHT (KIPS)	MIN WEIGHT (KIPS)	A		
2	2'-3"	82	5.0	8.0	0.3	7'-6"	9.0	32
3	2'-6"	91	5.0	8.0	0.3	7'-9"	9.6	40
4	2'-9"	99	5.0	10.0	0.3	8'-0"	10.3	40
5	3'-0"	108	5.0	12.0	0.4	8'-3"	10.9	40
6	3'-3"	117	5.0	12.0	0.4	8'-6"	11.6	40
7	3'-6"	124	5.0	16.0	0.4	8'-6"	11.6	40
8	3'-9"	175	5.0	16.0	0.4	9'-6"	14.5	40
9	4'-0"	199	5.0	18.0	0.5	9'-9"	15.3	48
10	4'-3"	211	5.0	20.0	0.5	10'-0"	16.0	48

NOTE: SEE DRAWING NO. B090548 FOR STANDARD FOUNDATION NOTES.



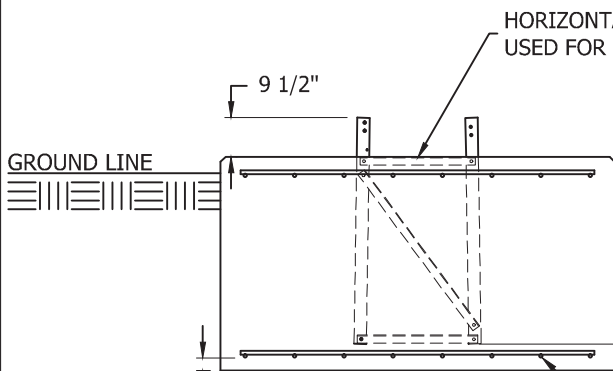
PLAN VIEW

SHORT BASE

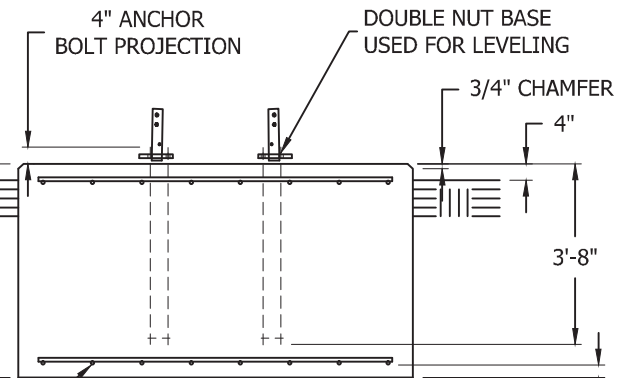


PLAN VIEW

ANCHOR BASE



ELEVATION VIEW



ELEVATION VIEW

HORIZONTAL #7 BARS EQUALLY SPACED EACH WAY TOP & BOTTOM

FILE NO.				
REVISIONS				
REV.	DESCRIPTION	DWN	CHK	APP
2	UPDATE DRAWING TO NEW STANDARDS DATE: 09/15/12	ZAW	SSM	HA



PO BOX 5999
PEORIA, IL 61601-5999
TOLL FREE 800-727-ROHN

RSL TOWER
STANDARD MAT FOUNDATION DESIGNS

DWN: ZAW	CHK'D: SSM	DATE: 07/13/2012
ENG'R: HA	SHEET #: 1 OF 1	
PRJ. ENG'R: OH	PRJ. MANG'R:	

THIS DRAWING IS THE PROPERTY OF ROHN. IT IS NOT TO BE REPRODUCED, COPIED OR TRACED IN WHOLE OR IN PART WITHOUT OUR WRITTEN CONSENT.

DRAWING NO: RSL-FD1	REV: 2
------------------------	-----------